



Surface Mount Panel Adapter

- **Cost-effective solution**
- **Easy installation**
- **Flexibility of using any standard socket meter**



SWBXS9 Front View



SWBXS9 Back View



Adapter with Meter

DESCRIPTION

These Panel Adapters convert any standard socket meter to a small case switchboard meter, eliminating the need to stock or maintain more than one type of metering package. The panel socket adapter is a low cost way of converting an antiquated switchboard meter to a solid-state metering system using a socket meter. It requires no changes to the substation steel panel or its existing cutout for installation.

Many utilities have already standardized on socket meters, taking advantage of lower costs and simplified maintenance. These panel adapters provide an easy and convenient way of installing socket meters on panels, thus eliminating the need for more expensive switchboard meters. With these adapters, there's no need to keep an inventory of various meters or use switchboard meters at all.

The Surface Mount Panel Adapter allows the user to install any standard solid-state meter from the front of the panel. The adapter can be easily installed in the place of the existing small or large case panel meter.

ADVANTAGES (New or Retrofit Installations)

- Works with any standard socket meter.
- Lower initial and replacement costs.
- Less expensive solution than using switchboard meters.
- Ability to mount a lower cost industrial meter on a panel.
- Reduces meter and spare part inventory.
- Simplifies maintenance, testing and replacement.
- Easy installation – threaded mounting holes mate to existing panel holes & cutouts so existing metering can be replaced without changing the panel at all.
- Flexible - change meter or manufacturer any time.
- Very small profile for tight spaces.
- In stock models available for immediate delivery.



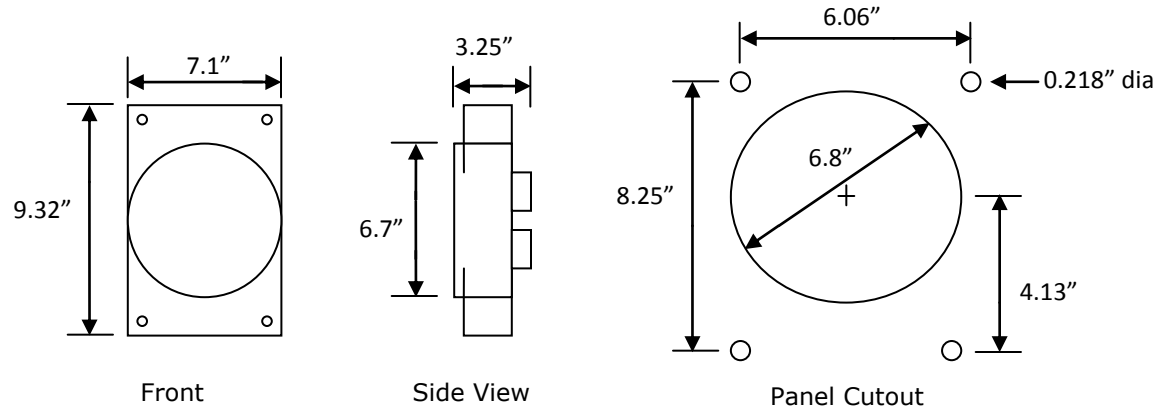
SUSI Adapters, Inc.

PRODUCT AVAILABILITY

SWBXS_ for retrofitting into existing installations
 SWBXS_-G for new installations including grounding connection

Options (part number suffix):

- Available forms are 9S, 6S, and 5S (2, 2 1/2 and 3 elements).
- Options: KYZ Output, Test Switch Plate, Test Switch, Large case adapter plate and AUX power.
- Contact SUSI Adapters custom hole patterns or non-standard installations.



SUSI Part Numbers

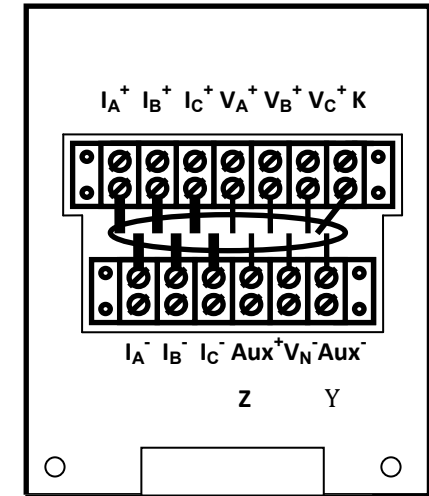
Surface Mount—Recommend for New or Retrofit applications

<u>SUSI PN</u>	<u>Meter Form</u>	<u>New Meter plugging into Adapter</u>	<u>Mounting hole patterns for retrofits</u>	<u>Application</u>
SWBXS9	9	Any Socket Meter	GE DS, JEM10, Transdata and others	Retrofit to existing holes
SWBXS6	6	Any Socket Meter	GE DS, JEM10, Transdata and others	Retrofit to existing holes
SWBXS5	5	Any Socket Meter	GE DS, JEM10, Transdata and others	Retrofit to existing holes
SWBXS9-G	9	Any Socket Meter	GE DS, JEM10, Transdata and others	New installations
SWBXS6-G	6	Any Socket Meter	GE DS, JEM10, Transdata and others	New installations
SWBXS5-G	5	Any Socket Meter	GE DS, JEM10, Transdata and others	New installations

Options

-K	KYZ Output (*In Stock)
-T	Test Switch Plate
-TS	Test Switch Plate & Test Switch
-P	Adapter Plate for Large case switchboard meters from Schlumberger, GE, L&G and Transdata
-A	Adapter Plate for Large switchboard meters-Westinghouse (ABB)

*Shipping Weight Approximately 6 lbs. FOB Johns Creek, GA



Form 9S Terminal Connections Back View

For More Information call **770-448-6810** or email sales@SUSIadapters.com

600-1100-01-A